



**T&S BRASS AND BRONZE WORKS, INC.**  
 2 SADDLEBACK COVE / P.O. BOX 1088 / TRAVELERS REST, SC 29690  
 PHONE 800-476-4103 - FAX 864- 834-3518



Sales No.

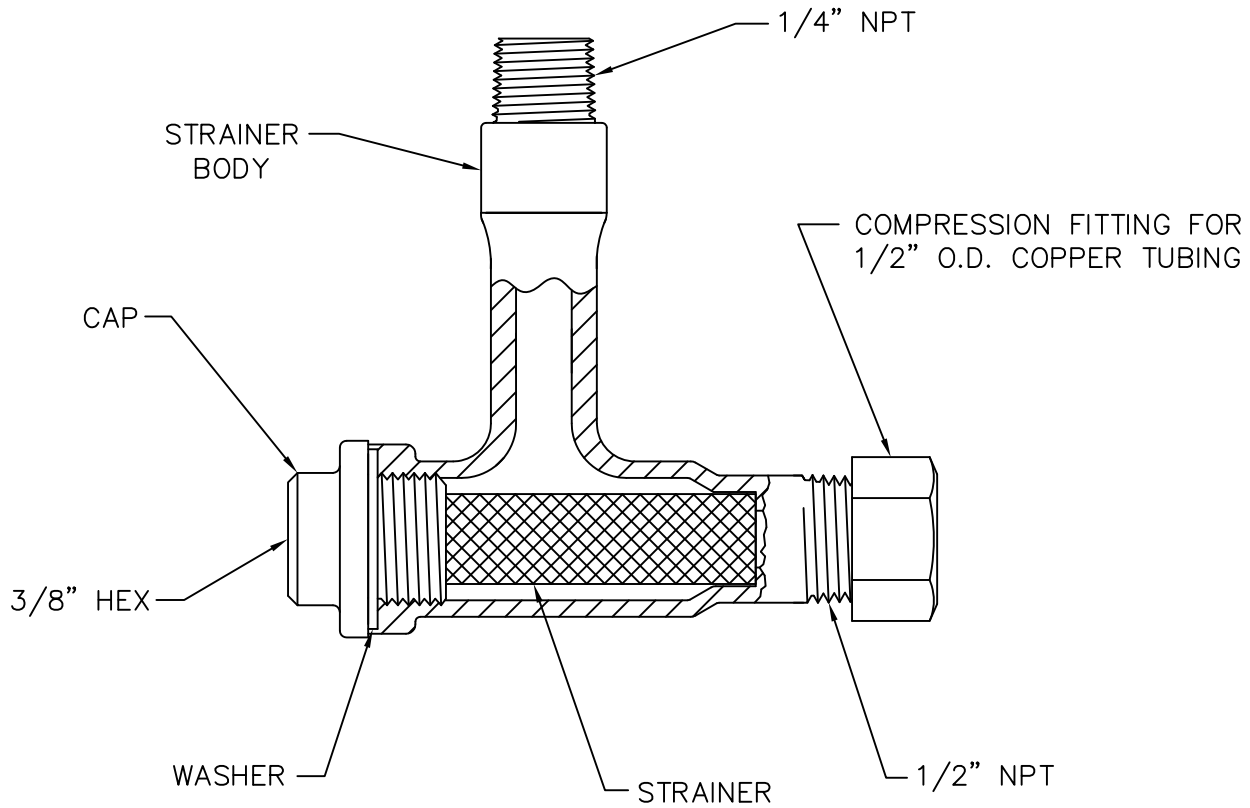
EW-SP509

**RELIABILITY  
 BUILT IN**

Job Name:

Architect/Engineer Approval:

Notes:



FULLY SERVICEABLE IN-LINE 50 X 50 MESH STRAINER

Product Description:  
 L - STRAINER

Drawn: DMH	Checked GEF	Scale: 1:1
Approved JHB		Date: 12/20/10